



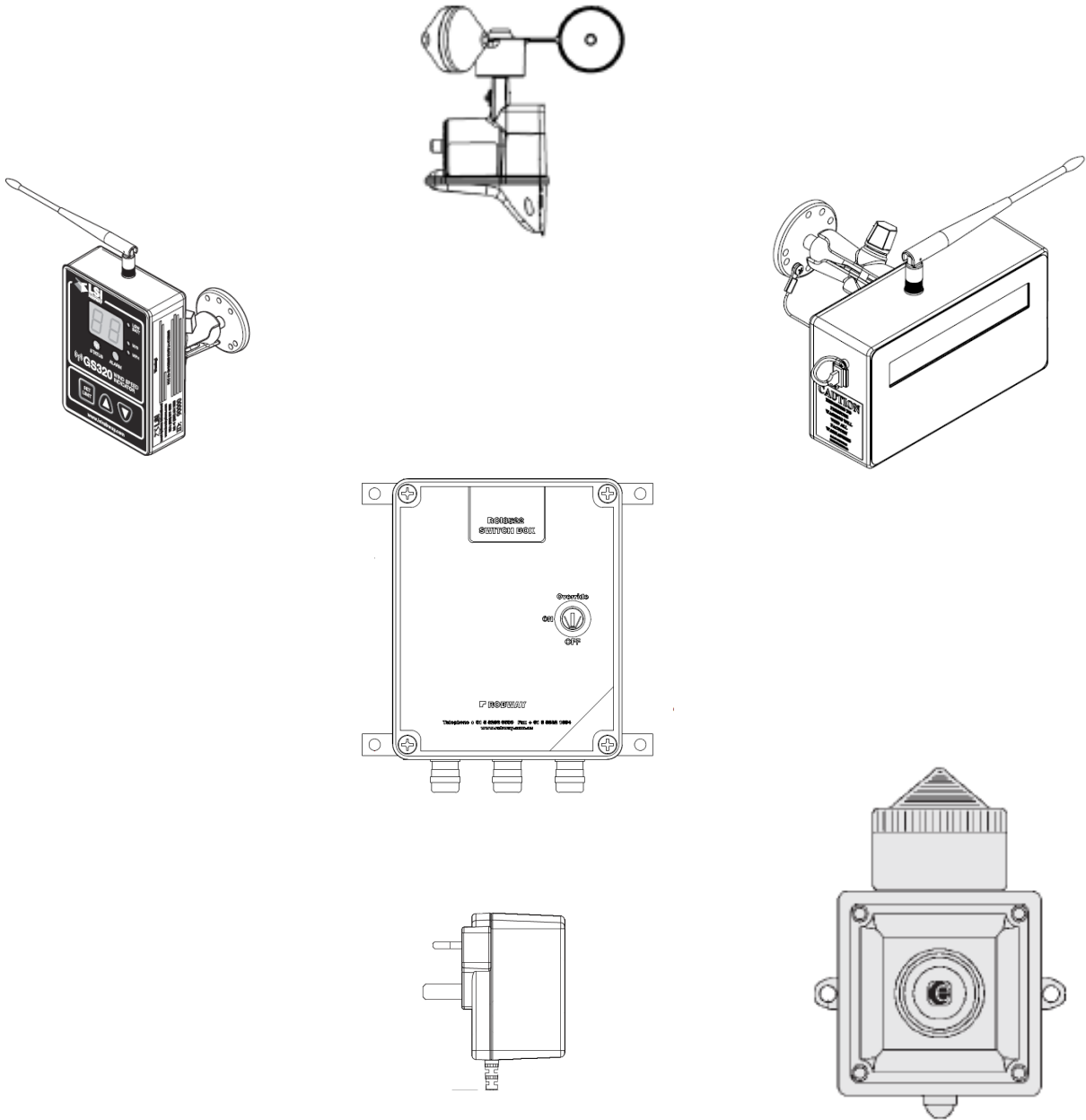
---

## WIND SPEED SIREN AND BEACON INSTRUCTIONS

**MAN-1126 Rev A**

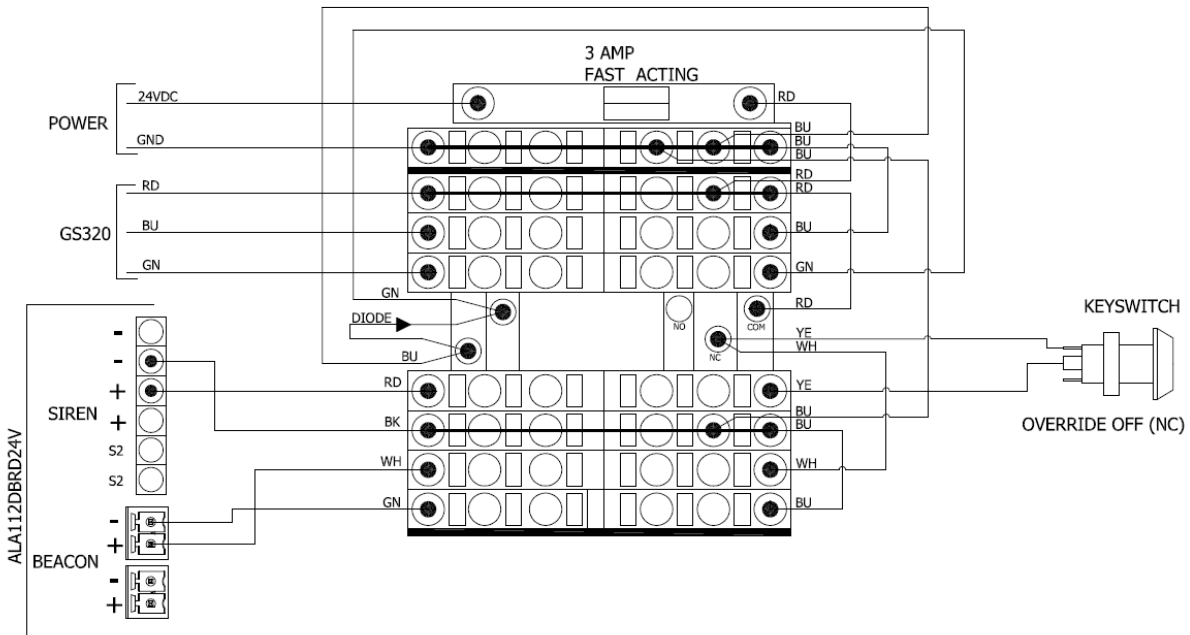


## SYSTEM DIAGRAM



Item	Order code	Description
1	GS026-CE	WIND SPEED SENSOR, CE, 868 MHZ
2	GS320-CE	WIND SPEED DISPLAY, CE, 868 MHZ
3	GS550-CE	GS DISPLAY, CE, 868 MHZ
4	ALA112DBRC24V	SOUNDER WITH BEACON, RED, 24 VDC
5	JUNBOX5306	JUNCTION BOX
6		POWER SUPPLY, 115-240VAC, 24 VDC

## WIRING DETAIL



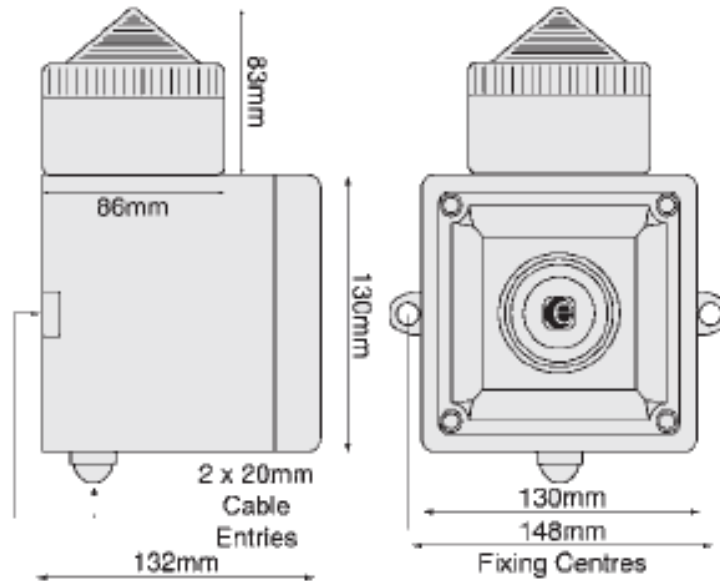
### SIREN DIP SWITCH SETTINGS

TONE	DESC	1	2	3	4	5	6
1	340 Hz continuous						
2	800/1000 Hz @ 0.25 sec Alternating	■					
3	500/1200 0.3Hz 0.5 sec slow whoop		■				
4	800/1000 Hz @ 1 Hz Sweeping	■					
5	2400 Hz continuous			■			
6	2400/2900 Hz @ 7 Hz Sweeping		■				
7	2400/2900 Hz @ 1 Hz sweeping			■			
8	500/1000/500 Hz @ 0.3 Hz sweeping	■					
9	1200/500Hz @ 1Hz - DIN / PFEER P.T.A.P.				■		
10	2400/2900Hz @ 2Hz Alternating	■					
11	<b>1000Hz @ 1Hz Intermittent (DEFAULT SETTING)</b>		■				
12	800/1000Hz @ 0.875Hz Alternating			■			
13	2400Hz @ 1Hz Intermittent				■		
14	800Hz 0.25sec on, 1 sec off Intermittent	■					
15	800Hz Continuous					■	
16	660Hz 150mS on, 150mS off Intermittent						■
17	544Hz (100mS)/440Hz (400mS) - NF S 32-001						■
18	660Hz 1.8sec on, 1.8sec off Intermittent	■					
19	1.4KHz-1.6KHz 1s, 1.6KHz-1.4KHz 0.5s -NFC48-265						■
20	660Hz Continuous						■
21	554Hz/440Hz @ 1Hz Alternating						■
22	544Hz @ 0.875 sec. Intermittent	■					
23	800Hz @ 2Hz Intermittent						■
24	800/1000Hz @ 50Hz Sweeping	■					
25	2400/2900Hz @ 50Hz Sweeping						■
26	Bell	■					
27	554Hz Continuous						■
28	440Hz Continuous						■
29	800/1000Hz @ 7Hz Sweeping	■					
30	300Hz Continuous						■
31	660/1200Hz @ 1Hz Sweeping	■					
32	Two tone chime						■

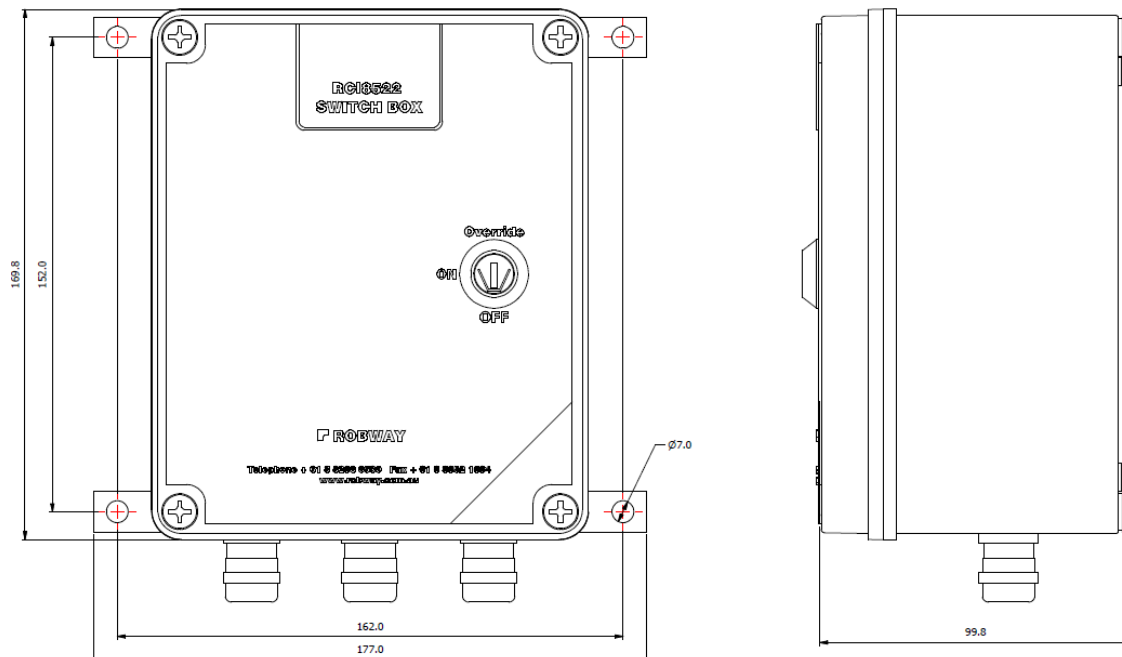
■ = DIP Switch ON

## MOUNTING DETAIL

### ALA112DBRD234V SOUNDER AND BEACON



### JUNBOX5306



## SPECIFICATIONS

SOUND LEVEL	Maximum Level	112 dB @ 1m
FLASHER	Colour	Red
	Type	Xenon
	Brightness	200 cd
POWER SUPPLY	Voltage	20 to 28 VDC
	Current	250 mA
ENVIRONMENTAL	Temperature	-25 °C to +55 °C
	Protection	IP66
PHYSICAL	ALA112DBRD234V	130 x 132 x 213mm (w x d x h)
		1.0 kg
		Flame Retardant ABS
	JUNBOX5306	140 x 99 x 170mm (w x d x h)
		1.0 kg
		Flame Retardant ABS