

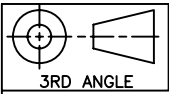
REV	DATE	DESCRIPTION OF CHANGE	APPR'D
1.1	10/07/01	REFER TO DR#809	A.C.

TOL: X. +/- 1
 X.X +/- 0.2
 X.XX AS STATED

DO NOT SCALE DRAWING
 ALL DIMENSIONS ARE IN MILLIMETERS
 UNLESS OTHERWISE STATED

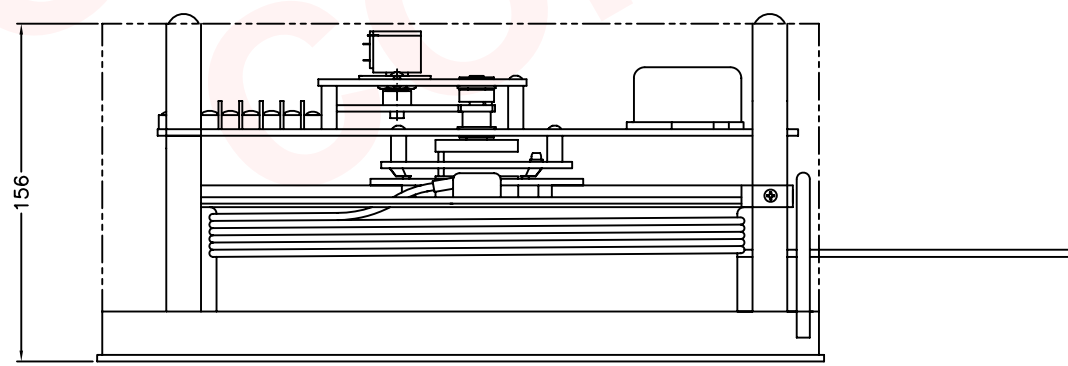
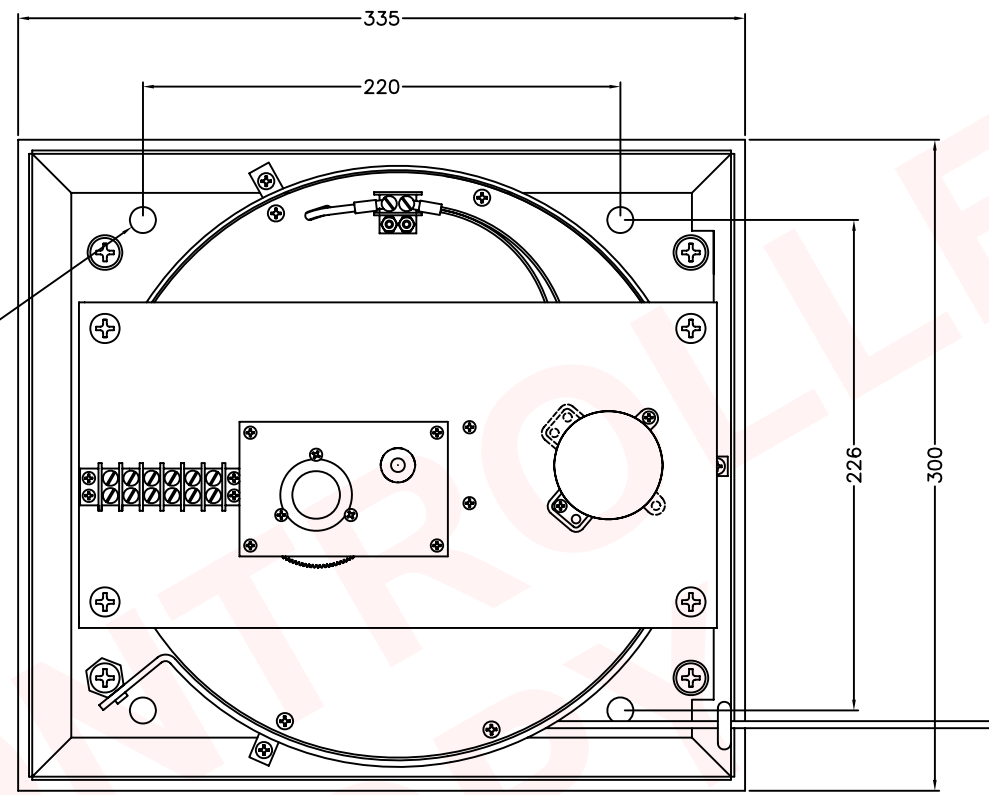
DRAWN	APPROVED	PART OF ASSY
C. HOBBY	M. OBST	-
13/01/97	13/01/97	-
ROBWAY SAFETY SYSTEMS PTY LTD		
32 WEST THEBARTON RD		PHONE +61 8 8352 6055
THEBARTON 5031		FAX +61 8 8352 1684
SOUTH AUSTRALIA		

PART No:	PROJECT:	SCALE
-	RW-100	N/A
TITLE: RW-100 RECOIL DRUM (GENERAL ARRANGEMENT)		SHEET 1 OF 2
DRAWING No: DWG 1198	FILE No: 119801AB.DWG	REV 1.0



4 X Ø12MM MOUNTING HOLES

NOTE: COVER NOT SHOWN



REV	DATE	DESCRIPTION OF CHANGE	APPR'D
1.1	10/07/01	REFER TO DR#809	A.C.

TOL: X. +/- 1
 X.X +/- 0.2
 X.XX AS STATED

DO NOT SCALE DRAWING
 ALL DIMENSIONS ARE IN MILLIMETERS
 UNLESS OTHERWISE STATED

DRAWN	APPROVED	PART OF ASSY
C. HOBBY	M. OBST	-
13/01/97	13/01/97	-
ROBWAY SAFETY SYSTEMS PTY LTD		
32 WEST THEBARTON RD THEBARTON 5031 SOUTH AUSTRALIA		
PHONE +61 8 8352 6055 FAX +61 8 8352 1684		

PART No:	-	PROJECT:	RW-100
TITLE:	RW-100 RECOIL DRUM (DIMENSIONAL DETAIL)		SCALE N/A
DRAWING No:	DWG 1198	FILE No:	119801AB.DWG
			SHEET 2 OF 2
			REV 1.0