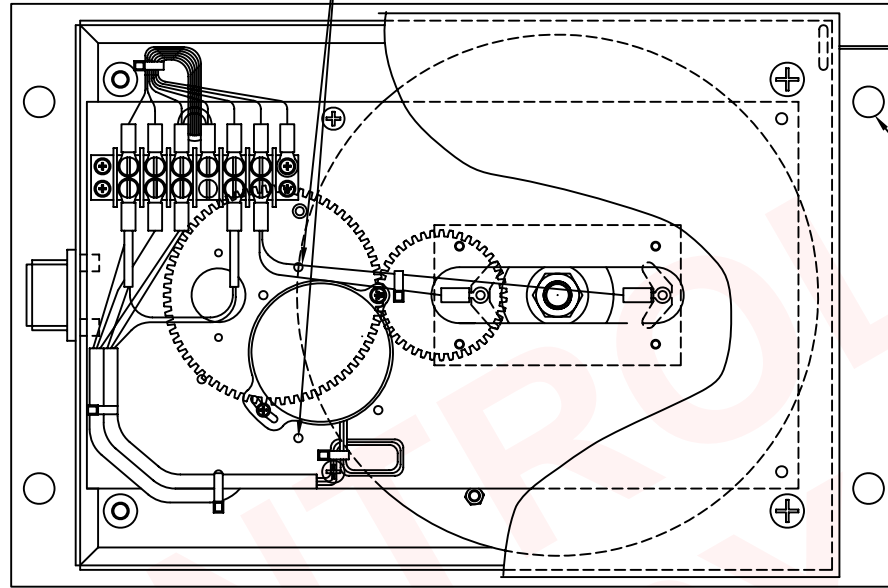


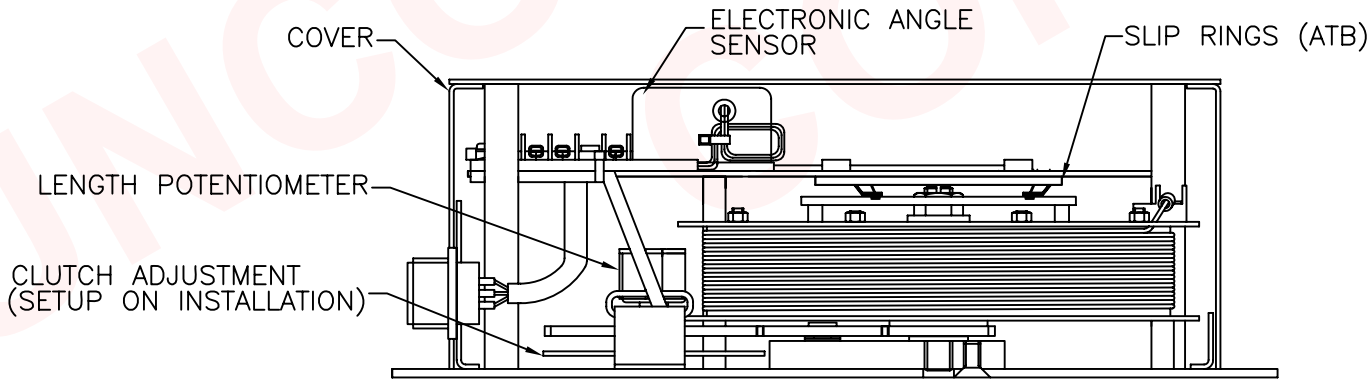
FOR CRANES THAT REQUIRE BOOM TO LOWER BELOW 0° THESE ALTERNATIVE SCREW MOUNTINGS WILL BE REQUIRED



PAYOUT WIRE
(TO BOOM HEAD)

USE M10 MOUNT BOLTS

NOTE:
ELECTRONIC ANGLE SENSOR IS SHOWN AS
RIGHT HAND MOUNT



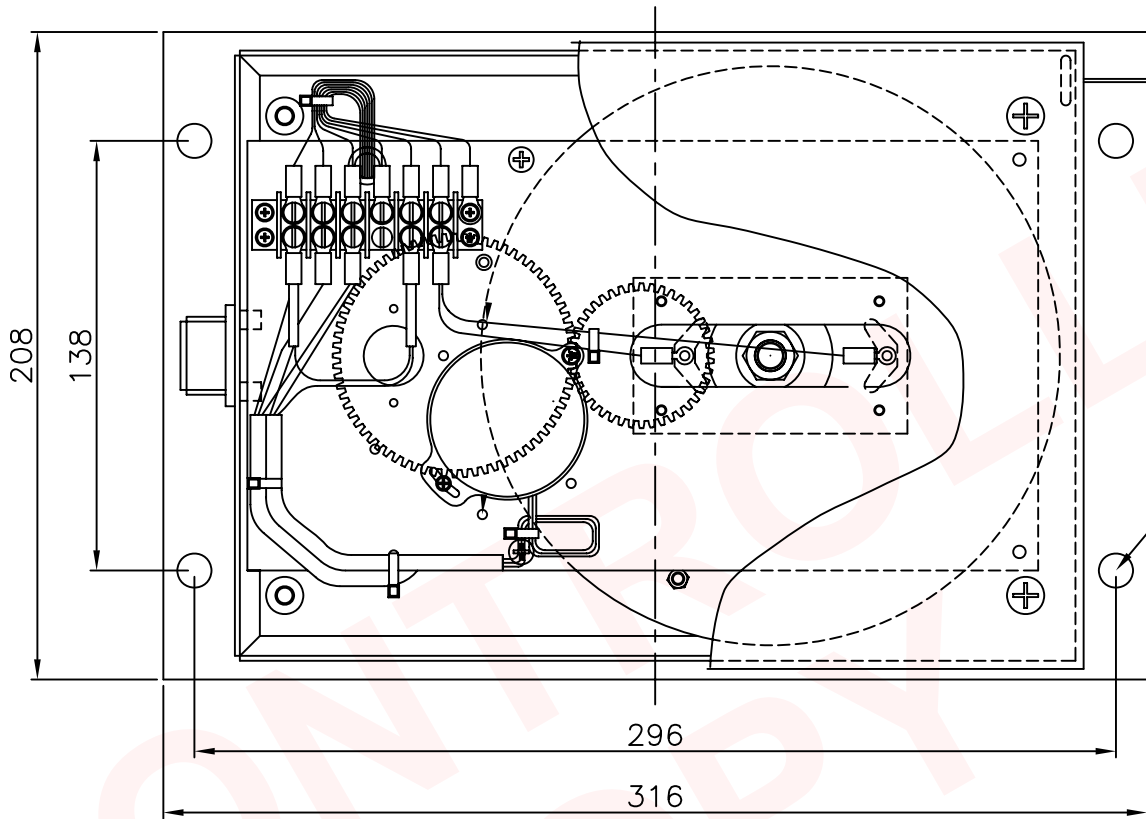
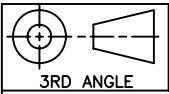
REV	DATE	DESCRIPTION OF CHANGE	APPR'D
1.1	10/07/01	REFER TO DR#809	A.C.

TOL: X. +/- 1
X.X +/- 0.2
X.XX AS STATED

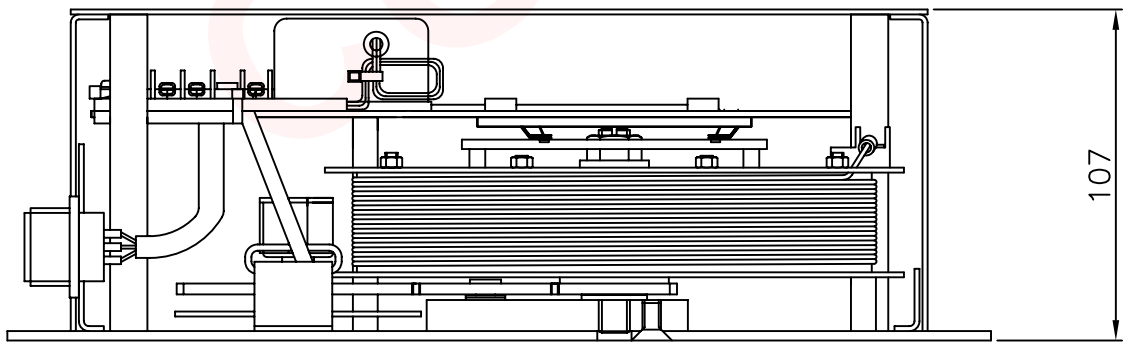
DO NOT SCALE DRAWING
ALL DIMENSIONS ARE IN MILLIMETERS
UNLESS OTHERWISE STATED

DRAWN	APPROVED	PART OF ASSY
C. HOBBY	M. OBST	-
18/02/98	18/02/98	-
ROBWAY SAFETY SYSTEMS PTY LTD		
32 WEST THEBARTON RD		PHONE +61 8 352 6055
THEBARTON 5031		FAX +61 8 352 1684
SOUTH AUSTRALIA		

PART No:	-	PROJECT:	RW-10
TITLE:	RW-10 RECOIL DRUM (GENERAL ARRANGEMENT)		SCALE N/A
DRAWING No:	DWG 1539	FILE No:	153901AB.DWG
			SHEET 1 OF 2
			REV 1.1



4 X Ø12MM MOUNTING HOLES



REV	DATE	DESCRIPTION OF CHANGE	APPR'D
1.1	10/07/01	REFER TO DR#809	A.C.

TOL: X. +/- 1
 X.X +/- 0.2
 X.XX AS STATED

DO NOT SCALE DRAWING
 ALL DIMENSIONS ARE IN MILLIMETERS
 UNLESS OTHERWISE STATED

DRAWN	APPROVED	PART OF ASSY
C. HOBBY	M. OBST	-
18/02/98	18/02/98	-
ROBWAY SAFETY SYSTEMS PTY LTD		
32 WEST THEBARTON RD		PHONE +61 8 352 6055
THEBARTON 5031		FAX +61 8 352 1684
SOUTH AUSTRALIA		

PART No:	-	PROJECT:	RW-10
TITLE:	RW-10 RECOIL DRUM (GENERAL ARRANGEMENT)		SCALE N/A
DRAWING No:	DWG 1539	FILE No:	153901AB.DWG
			REV 1.1