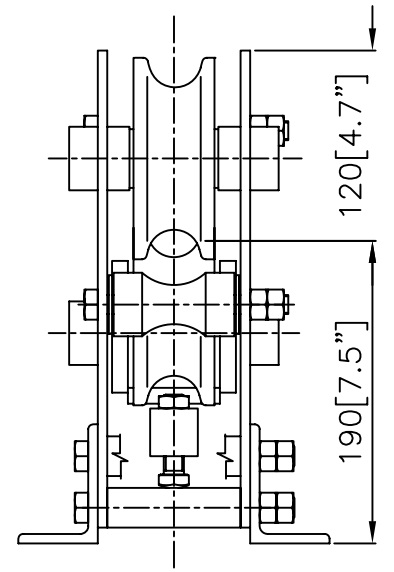
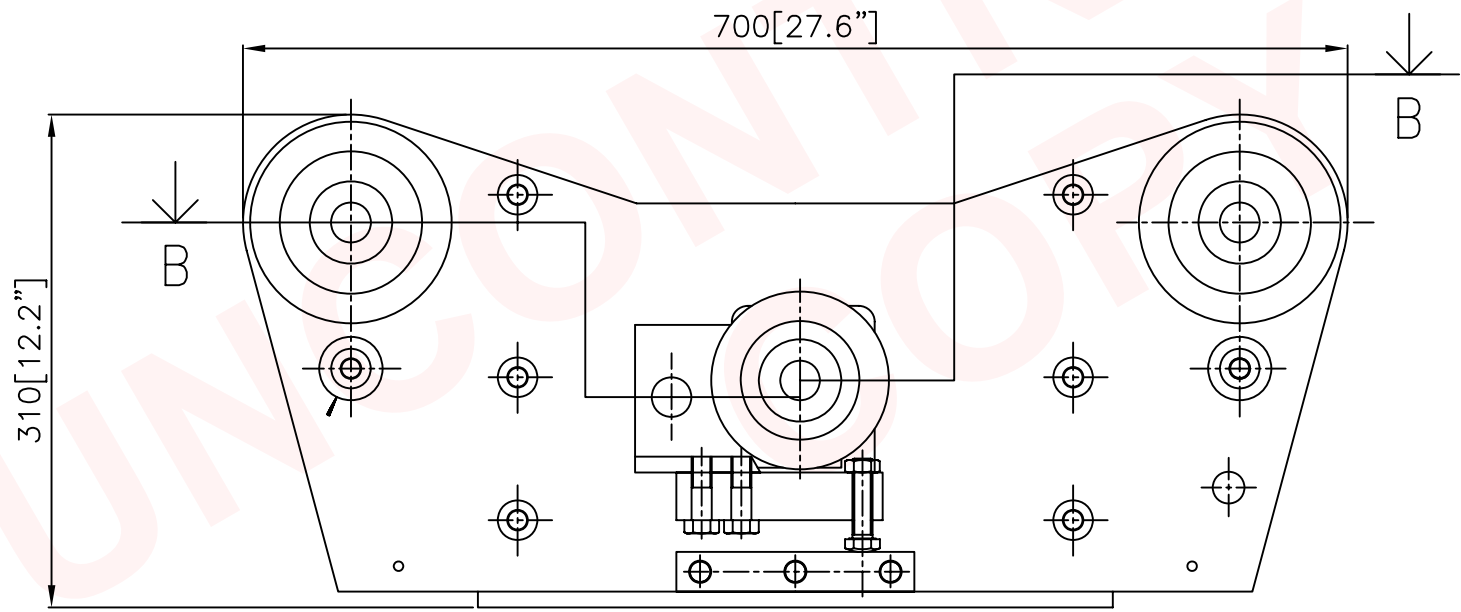
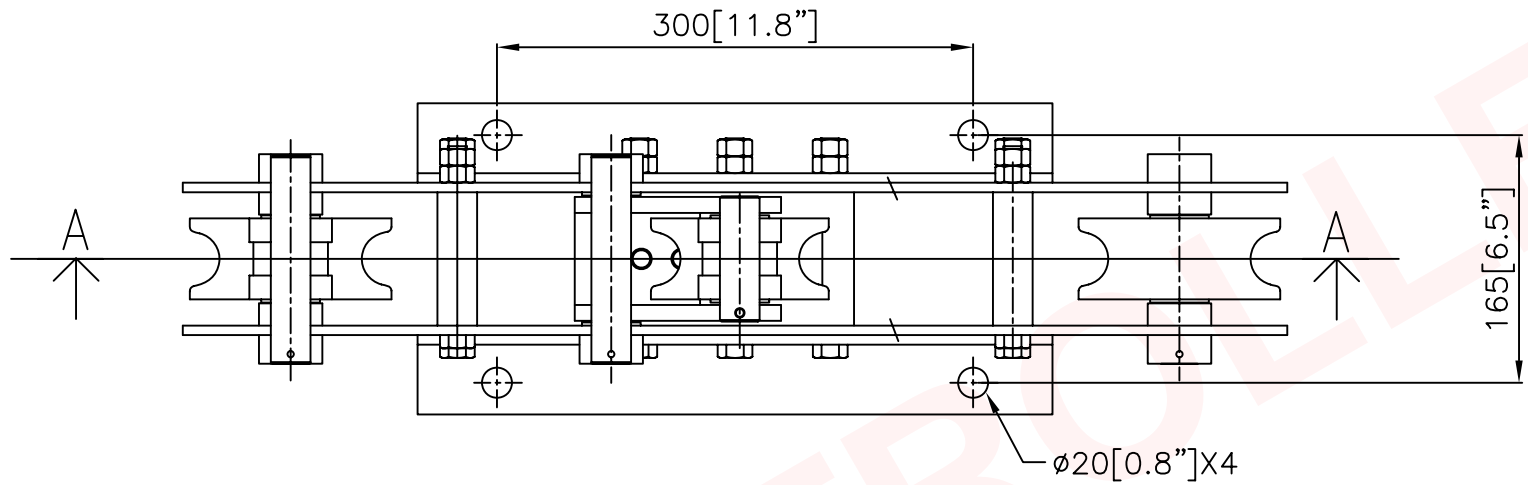


SECTION B B



SECTION A A

| REV | DATE | DESCRIPTION OF CHANGE | APPR'D |
|-----|------|-----------------------|--------|
| | | | |
| | | | |
| | | | |
| | | | |
| | | | |
| | | | |
| | | | |

TOL: X. +/- 1
 X.X +/- 0.2
 X.XX AS STATED

DO NOT SCALE DRAWING
 ALL DIMENSIONS ARE
 IN MILLIMETERS [INCHES]
 UNLESS OTHERWISE STATED

| DRAWN | APPROVED | PART OF ASSY |
|-------------------------------|----------|----------------------|
| C. HOBBY | | - |
| 05/11/98 | | |
| ROBWAY SAFETY SYSTEMS PTY LTD | | |
| 32 WEST THEBARTON RD | | PHONE +61 8 352 6055 |
| THEBARTON 5031 | | FAX +61 8 352 1684 |
| SOUTH AUSTRALIA | | |

| PART No: | PROJECT: | SCALE |
|---|--------------------------|-----------------|
| - | HRT-4 DYNO | N/A |
| TITLE: HRT-4 DYNAMOMETER DIMENSIONAL DETAIL | | SHEET 1 OF 1 |
| DRAWING No: DWG 1795 | FILE No: 179501AA.DWG | REV 1.0 |