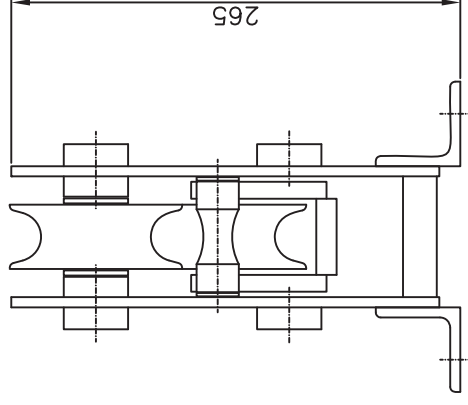
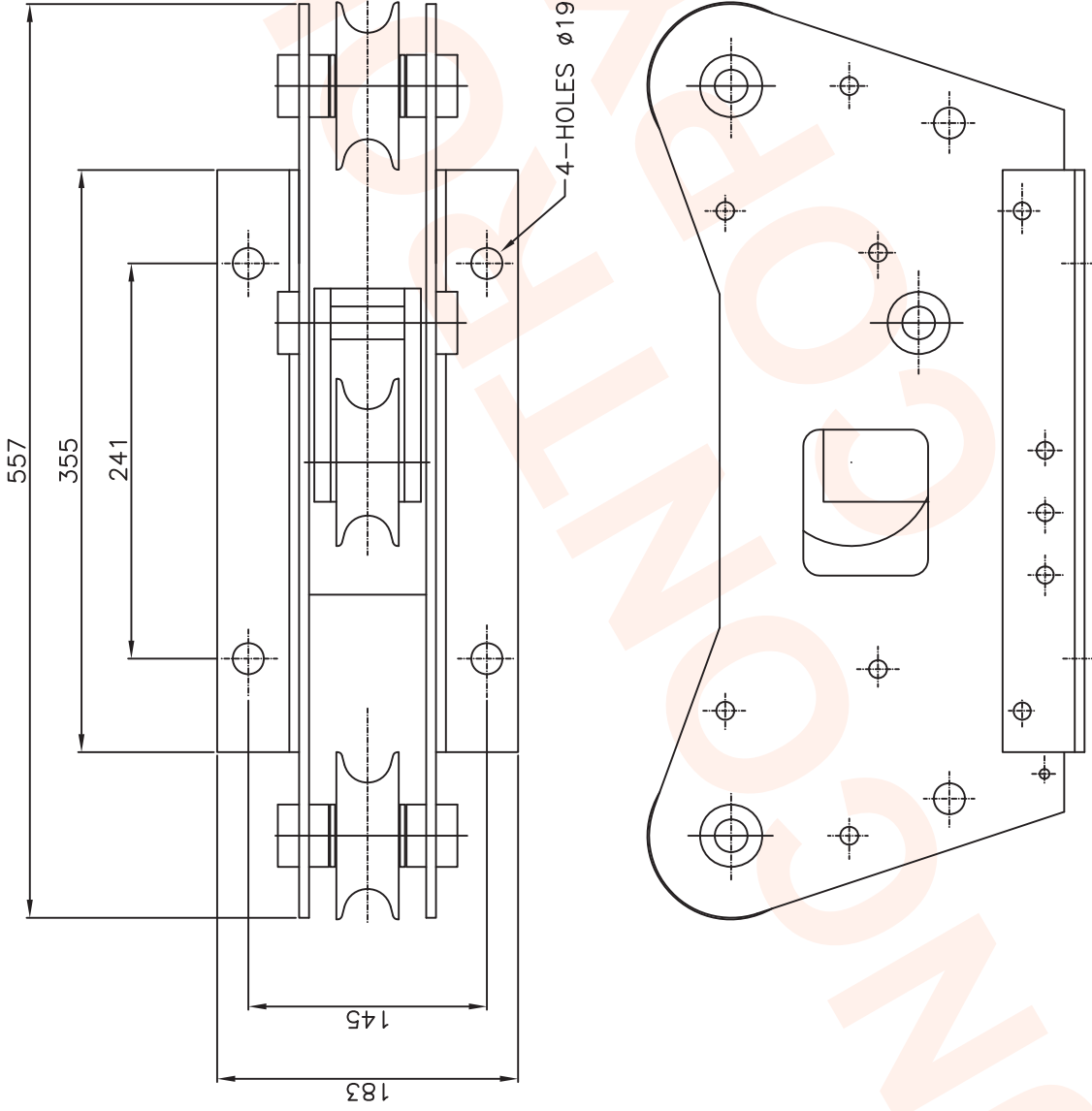


3RD ANGLE



REV	DATE	DESCRIPTION OF CHANGE	APPR'D	TOL:	DO NOT SCALE DRAWING ALL DIMENSIONS ARE IN MILLIMETERS UNLESS OTHERWISE STATED	DRAWN	APPROVED	PART OF ASSY	PART No:	PROJECT:	SCALE	SHEET
1.0	14/09/95	ISSUED FOR MANUFACTURE		X +/- 1		F. LOCKER	M. OBST	—	AS ABOVE	HRT-3 DYNO	N/A	2 OF 2
1.1	04/01/96	ITEMS 3&4 CHANGED AS PER DR#124	M.O.	X +/- 0.2		14/09/95	14/09/95					
1.2	27/08/97	REFER TO DR#318	M.O.	X.XX AS STATED								
1.3	29/03/99	REFER TO DR#551	M.O.									
1.4	27/01/05	REFER TO DR#345	G.C.									
						<b>ROBWAY SAFETY SYSTEMS PTY LTD</b> 32 WEST THEBARTON RD THEBARTON 5031 SOUTH AUSTRALIA PHONE +61 8 8352 6055 FAX +61 8 8352 1684			DRAWING No: DWG 0422 FILE No: 042201AE.DWG		TITLE: GENERAL ARRANGEMENT REV 1.4	