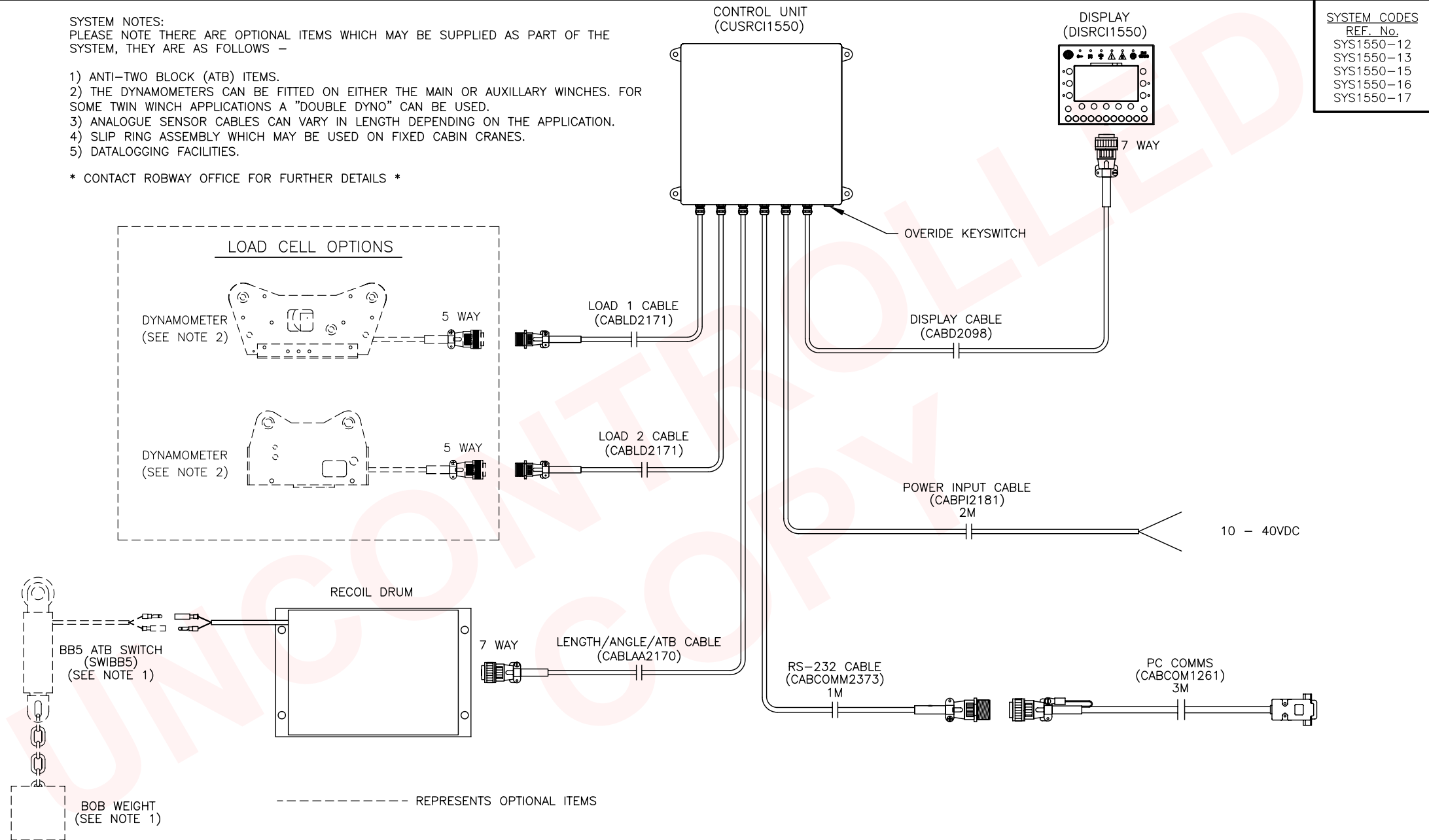


SYSTEM NOTES:  
PLEASE NOTE THERE ARE OPTIONAL ITEMS WHICH MAY BE SUPPLIED AS PART OF THE SYSTEM, THEY ARE AS FOLLOWS -

- 1) ANTI-TWO BLOCK (ATB) ITEMS.
- 2) THE DYNAMOMETERS CAN BE FITTED ON EITHER THE MAIN OR AUXILLARY WINCHES. FOR SOME TWIN WINCH APPLICATIONS A "DOUBLE DYNO" CAN BE USED.
- 3) ANALOGUE SENSOR CABLES CAN VARY IN LENGTH DEPENDING ON THE APPLICATION.
- 4) SLIP RING ASSEMBLY WHICH MAY BE USED ON FIXED CABIN CRANES.
- 5) DATALOGGING FACILITIES.

\* CONTACT ROBWAY OFFICE FOR FURTHER DETAILS \*

SYSTEM CODES	REF. No.
SYS1550-12	
SYS1550-13	
SYS1550-15	
SYS1550-16	
SYS1550-17	



----- REPRESENTS OPTIONAL ITEMS

REV	DATE	DESCRIPTION OF CHANGE	APPR'D	TOL:	DO NOT SCALE DRAWING ALL DIMENSIONS ARE IN MILLIMETERS UNLESS OTHERWISE STATED	DRAWN	APPROVED	PART OF ASSY	CUSTOMER:	PROJECT:	TITLE:	SCALE
				X. +/- 1		S. CHAMBERS	A. CANLAS	-	-	-	RCI-1550 GENERAL ARRANGEMENT FOR TYPICAL TELESCOPIC BOOM HOIST ROPE TENSION SYSTEM	N/A
				X.X +/- 0.2		02/06/04	02/06/04					SHEET 1 OF 1
				X.XX AS STATED		ROBWAY SAFETY SYSTEMS PTY LTD						REV
						32 WEST THEBARTON RD THEBARTON 5031 SOUTH AUSTRALIA			PHONE +61 8 8352 6055 FAX +61 8 8352 1684			1.0
									DRAWING No: DWG 3061	FILE No: 306101AA.DWG		