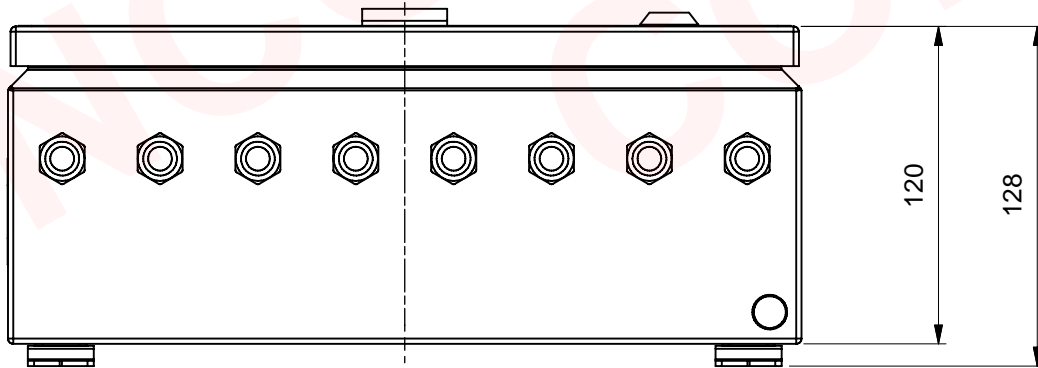
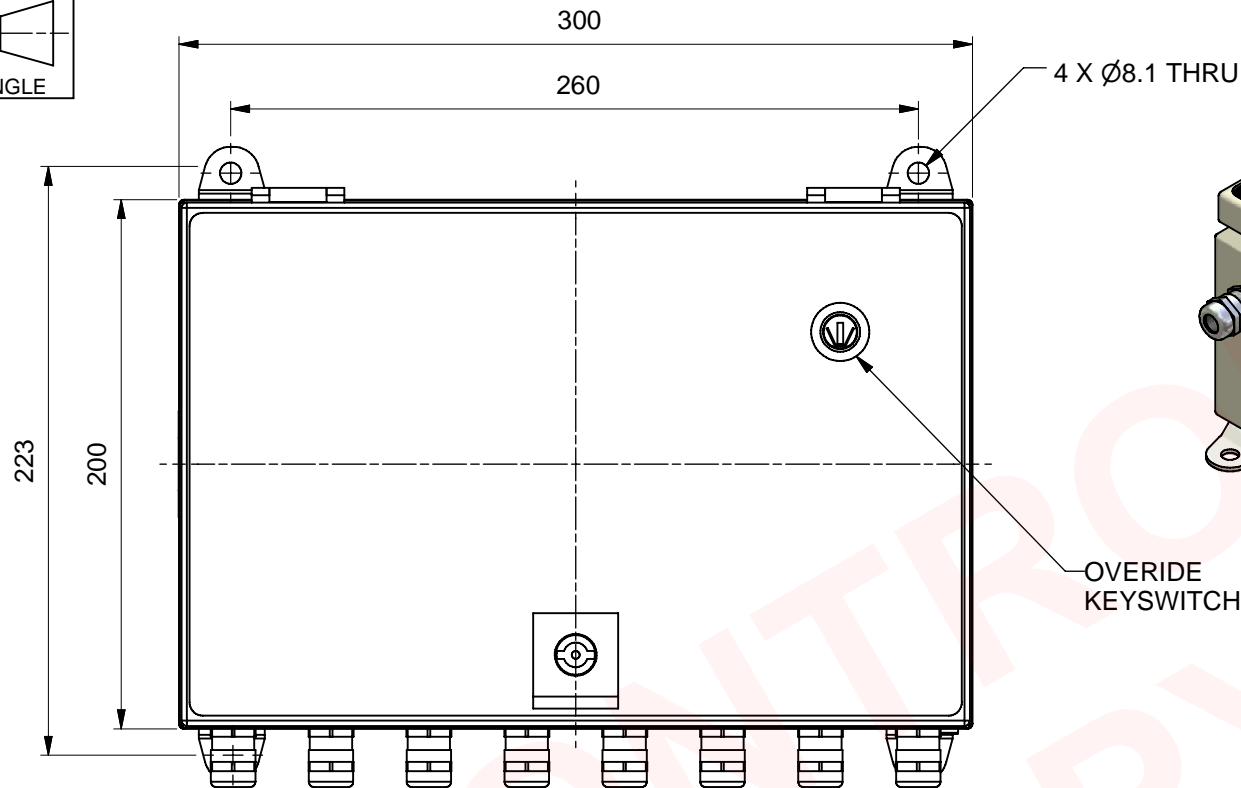


3RD ANGLE



REV	DATE	DESCRIPTION OF CHANGE	APPR'VD
1.1	10/04/06	REFER TO DR#454 (ADD GLAND)	S.C.

TOL: X. +/-1
 X.X +/-0.2
 X.XX +/-0.02

DO NOT SCALE DRAWING
 ALL DIMENSIONS ARE IN MILLIMETERS
 UNLESS OTHERWISE STATED

©copyright robway 2005

DRAWN BY	APPROVED BY	PART OF ASSY
S. CHAMBERS	A. CANLAS	-
15/07/2005	15/07/2005	

ROBWAY
 Crane Load Instrumentation
 web : www.robway.com.au

32 West Thebarton Rd
 THEBARTON
 SOUTH AUSTRALIA 5031

PHONE: +61 8 8238 3500
 FAX: +61 8 8352 1684

PART No:	PROJECT:	SCALE
CUSRCI1550S	RCI-1550 (SMALL)	N/A
TITLE:		SHEET
DIMENSIONAL DETAIL		1 OF 1
DRAWING No:	FILE No:	REV
DWG 3236	323601AB.idw	1.1